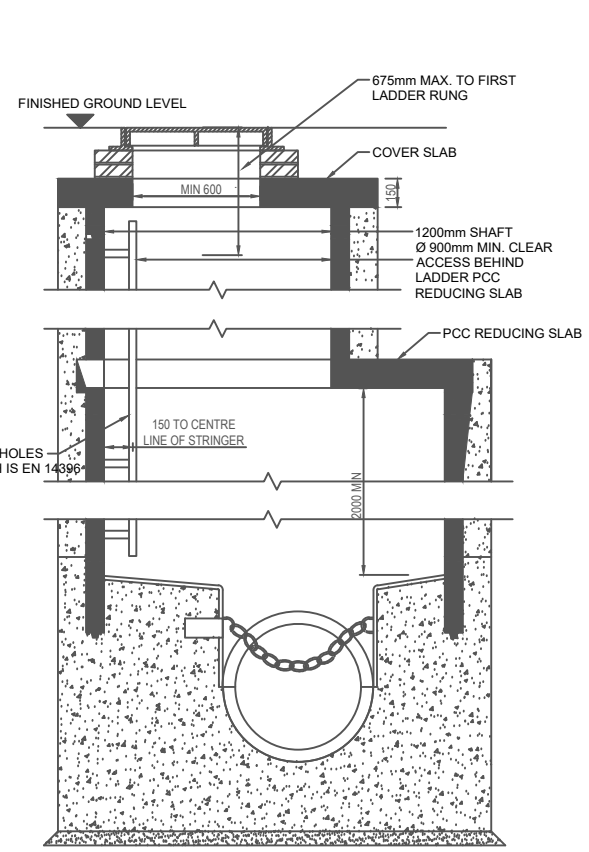
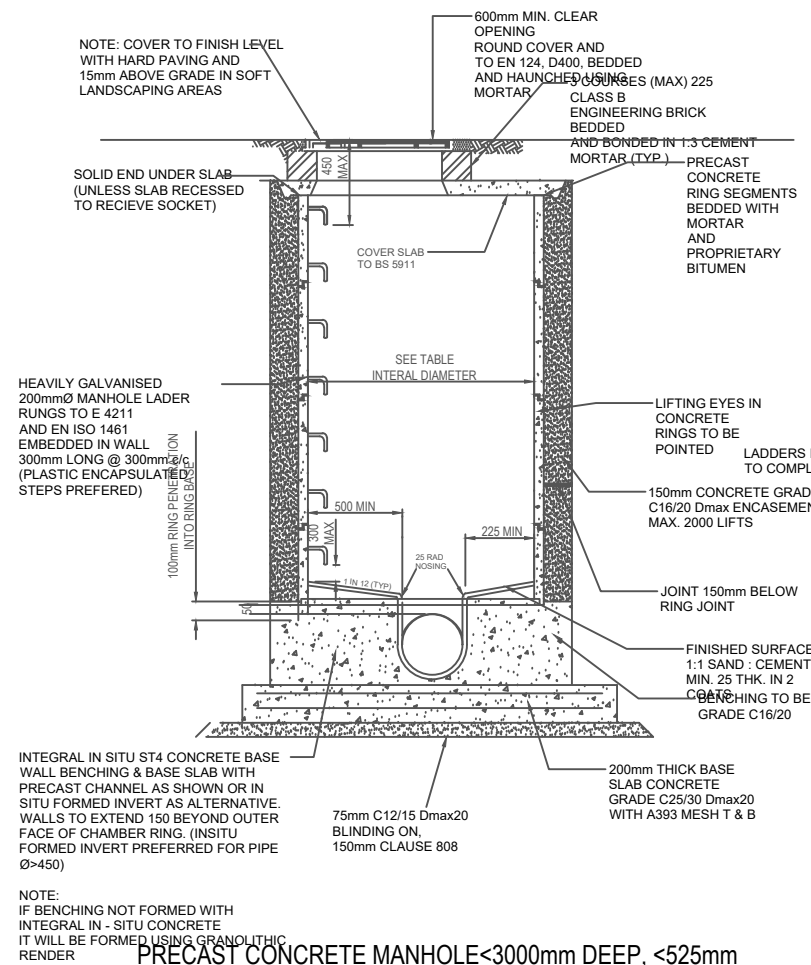


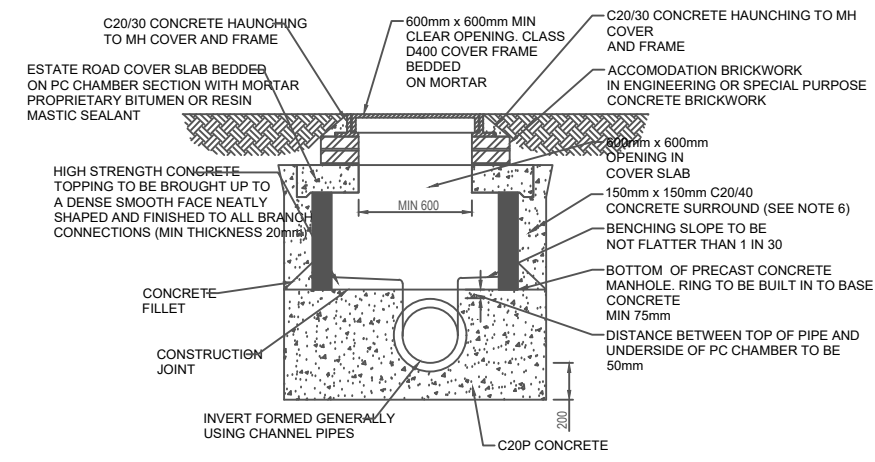
GENERAL NOTES:

1. THIS DRAWING IS TO BE READ IN CONJUNCTION WITH ALL RELEVANT ARCHITECTS AND ENGINEERS DRAWINGS AND SPECIFICATIONS.
2. DO NOT SCALE THIS DRAWING. ANY AMBIGUITIES, OMISSIONS AND ERRORS ON DRAWINGS SHALL BE BROUGHT TO THE ENGINEERS ATTENTION IMMEDIATELY. ALL DIMENSIONS MUST BE CHECKED / VERIFIED ON SITE.
3. ALL DIMENSIONS ARE IN MILLIMETRES UNLESS NOTED OTHERWISE.
4. FOR GENERAL NOTES REFER TO DRAWING.

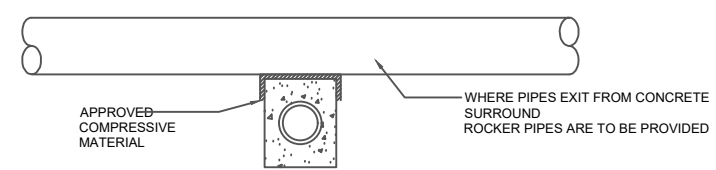


MANHOLE DETAIL > 3m & <6m GROUND TO SOFFIT DEPTH
SCALE 1:20 / 1:40

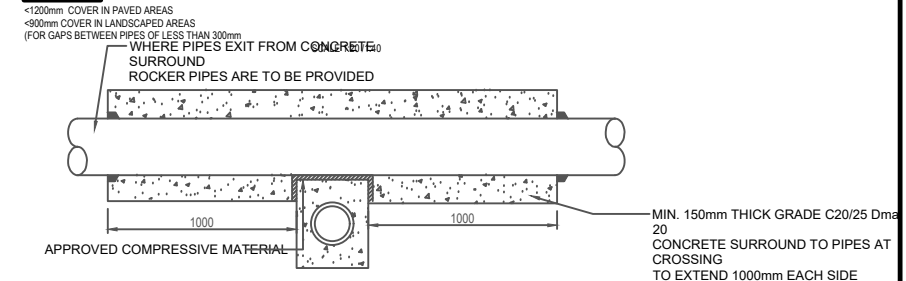
NOTE: (ON MANHOLES <1.5mØ, REDUCING SLAB NOT TO BE USED & PCC RINGS TO CONTINUE UP TO COVER SLAB)



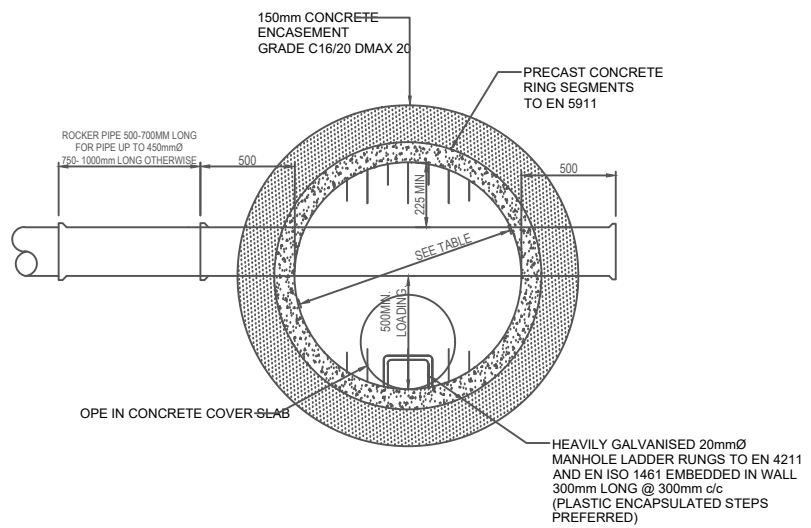
TYPICAL PRECAST SHALLOW MANHOLE DETAIL
SCALE 1:20/1:40



TYPICAL DETAIL AT PIPE CROSSING WITH ADEQUATE COVER



TYPICAL DETAIL AT PIPE CROSSING WITH SHALLOW COVER
SCALE 1:20 / 1:40



TYPICAL STRAIGHT THROUGH PRECAST CONCRETE MANHOLE
SCALE 1:20

1. ALL DIMENSIONS ARE IN MILLIMETRES (mm) UNLESS NOTED OTHERWISE.
2. PRE-CAST MANHOLES UNITS: COMPLYING WITH REQUIREMENTS OF IS EN 1917 AND BS 5911-PART 3.
3. THICKER MANHOLE BASES REQUIRED FOR SEWERS IN EXCESS OF 3m DEEP WHERE THE SIZE IS GREATER THAN THE STANDARD MINIMUM SIZE.
4. APPROVED PRE-CAST CONCRETE BASES MAY BE USED INCORPORATING CHANNELS, BENCHING ETC. SUBJECT TO IRISH WATER REVIEW AND COMPLYING WITH BS 5911-PART 4 2002.
5. STRUCTURAL DESIGN AND REINFORCEMENT DETAILS TO BE PROVIDED BY THE DEVELOPER AND SUBMITTED TO IRISH WATER FOR REVIEW.
6. MANHOLES GREATER THAN 3m IN DEPTH WILL REQUIRE A DETAILED STRUCTURAL DESIGN AND BE SUBJECT TO IRISH WATER REVIEW.
7. MANHOLE ROOFS SHALL CONSIST OF A RE-INFORCED CONCRETE SLAB OF IN-SITU CONCRETE, C30/37, WITH A MINIMUM THICKNESS OF 225mm DESIGNED TO CARRY ALL LIVE AND DEAD LOADS. ALTERNATIVELY, APPROVED PRE-CAST CONCRETE ROOF SLABS MAY BE USED SUBJECT TO IRISH WATER REVIEW AND COMPLIANCE WITH BS 5911 PART 4: 2002.
8. COVERS AND FRAMES SHALL BE SUITABLE FOR ROAD AND TRAFFIC CONDITIONS SUBJECT TO REVIEW BY IRISH WATER.
9. 200mm ALL AROUND, 100mm DEEP CONCRETE PLINTH AROUND COVERS IN GREEN AREAS.
10. ALL CHAMBERS TO BE CHECKED FOR UPLIFT BY THE DEVELOPER BASED ON GROUND CONDITIONS WITHIN THE SITE. SHOULD ANTI FLOTATION MEASURES BE REQUIRED THEY SHALL BE SUBJECT TO REVIEW BY IRISH WATER.
11. ALL CONCRETE TO BE IN ACCORDANCE WITH IS EN 206 : 2013.
12. ANY SPECIAL ROAD REINSTATEMENT AROUND COVER & FRAME SHALL BE TO ROAD AUTHORITY'S REQUIREMENTS.
13. NEW ROAD CONSTRUCTION & SURFACE FINISH TO BE TO ROAD AUTHORITY REQUIREMENTS. EXISTING ROAD REINSTATEMENT TO COMPLY WITH CURRENT VERSION OF "GUIDELINES FOR MANAGING OPENINGS IN PUBLIC ROADS" BY THE DEPT. OF TRANSPORT, TOURISM & SPORT, OR TRANSPORT INFRASTRUCTURE IRELAND REQUIREMENTS.
14. IF DEPTH FROM GROUND TO PIPE SOFFIT IS GREATER THAN 6m DEEP, A SITE SPECIFIC ENGINEERED SOLUTION FOR ACCESS SHALL BE PROVIDED.
15. PROPRIETARY WATERTIGHT PCC MANHOLE RING SYSTEMS WITH A WALL THICKNESS > 125mm, & A WATER TIGHT JOINT SEALING SYSTEM, MAY BE USED WITHOUT CONCRETE SURROUND, SUBJECT TO THE GROUND WATER LEVEL AT THE MANHOLE BEING LOW, & SUBJECT TO REVIEW BY IRISH WATER.

| CIRCULAR MANHOLES | | | MATERIAL DEPTH | | RECTANGULAR MANHOLES (MINIMUM STRAIGHT THROUGH DIMENSIONS) | | |
|-------------------|---------------------|--|----------------|-----|--|--------|----------------------|
| OUTLET DIAMETER | INTERNAL DIMENSIONS | EXTERNAL DIMENSIONS INCL CONC SURROUND | <3m | >3m | OUTLET DIAMETER | DEPTH | INTERNAL DIMENSION S |
| UP TO 375mmØ | 1200mmØ RING | 1680mm | RC & PCC | PCC | 150s d ≤ 375 | ALL | 1200 x 910 |
| 450mmØ | 1350mmØ RING | 1840mm | RC & PCC | PCC | 150s d ≤ 375 | < 1.5M | 1200 x 1135 |
| 525mmØ | 1500mmØ RING | 2010mm | RC & PCC | PCC | | > 1.5M | 1200 x 1360 |
| 600mmØ | 1500mmØ RING | 2010mm | PCC | PCC | | < 1.5M | 1500 x 1660 |
| 750mmØ | 1500mmØ RING | 2010mm | PCC | PCC | | > 1.5M | 1500 x 1885 |
| 900mmØ | 1800mmØ RING | 2330mm | PCC | PCC | | | |
| 1050mmØ | 2100mmØ RING | 2650mm | PCC | PCC | | | |

| | | | | |
|------|---------------------|----------|-----|-------|
| P02 | ISSUED FOR PLANNING | 11.12.20 | GS | DH |
| P01 | ISSUED FOR PLANNING | 12.11.19 | JC | GS |
| Rev: | Description: | Date: | By: | Chkd: |



11 Pembroke Lane, Dublin 2, D02 CX82
+353 (0)1 507 9447
dublin@curtins.com
www.curtins.com

Civils & Structures • Transport Planning • Environmental • Infrastructure • Geotechnical • Conservation & Heritage • Principal Designer
Birmingham • Bristol • Cambridge • Cardiff • Dublin • Edinburgh • Glasgow • Kenton • Leeds • Liverpool • London • Manchester • Nottingham

Status: **ISSUED FOR INFORMATION** **S2**

Project: **GLEN ABBEY**

Dig Title: **PROPOSED SITE SERVICES DETAILS SHEET 2 OF 4**

| | | | | |
|-------------|-------------|-----------|--------------|---|
| Size: | Date: | Drawn By: | Designed By: | Checked By: |
| A1/A3 | 12/11/19 | JC | GS | DH |
| Scale: | AS SHOWN | | | |
| Project No: | Originator: | Zone: | Level: | Type: Discipline: Category / Number: Rev: |

072414 - CUR - 00 - XX - DR - C - 90003 -P02